

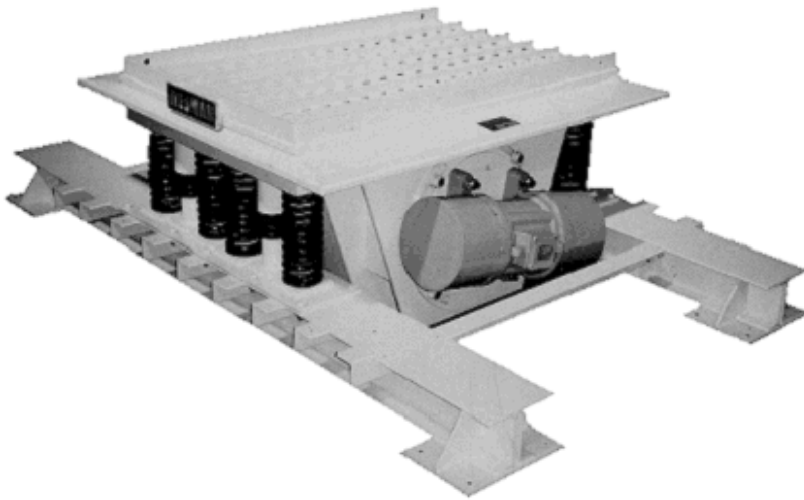
WESMAN

FOUNDRY EQUIPMENT DIVISION

SHAKEOUT MACHINE

FOUNDRY EQUIPMENT

WESMAN SHAKEOUT MACHINE is designed for continuous duty to separate castings from sand, mould and sand from flasks, and cores from castings. It consists of a top deck made of thick steel plate with drilled holes at a suitable pitch, which floats on heavy duty springs resting on a robust supporting structure. The floating top frame is shaken violently either by an eccentric shaft drive mechanism or by a vibromotor system. A fabricated guide chute directs the sand to an oscillating metal trough conveyor or other equipment placed below the shakeout.



A rotating eccentric shaft with additional eccentric weights at each end is fitted to the top frame with high-quality anti-friction bearings. The bearings are protected in properly sealed bearing blocks to eliminate entry of dust for longer life. Optionally, two unbalanced vibromotors can be mounted on the top floating frame, fitted opposite each other.

Flasks or boxes are suspended and lowered onto the vibrating grid. The boxes can be lifted and lowered to allow loosened sand to fall through the top deck openings. For difficult-to-remove sand, the boxes are held slightly above the vibrating deck which produces a quick hammering action to loosen the sand.

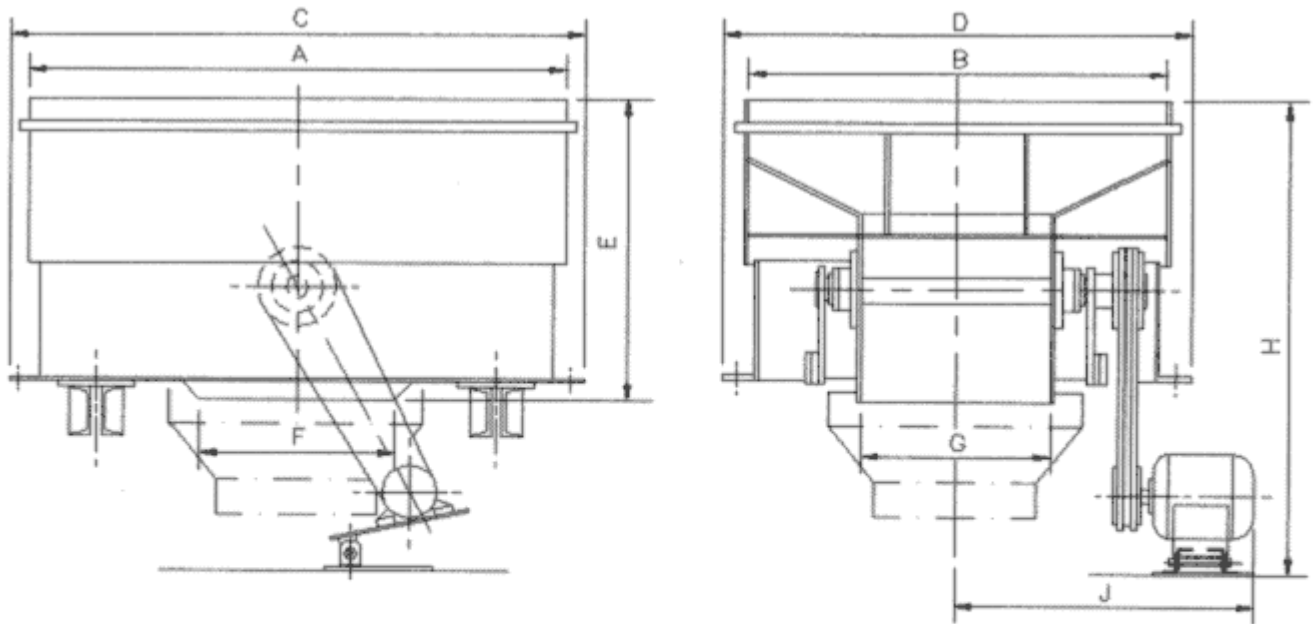
As the knockout operation creates a dusty atmosphere, installation of dust extraction equipment is recommended which is available as an optional item.

COMES IN VARIOUS SIZES WITH ECCENTRIC SHAFT DRIVE MECHANISM OR OPTIONALLY FITTED WITH VIBROMOTORS

SEE REVERSE FOR INSTALLATION DIMENSIONS

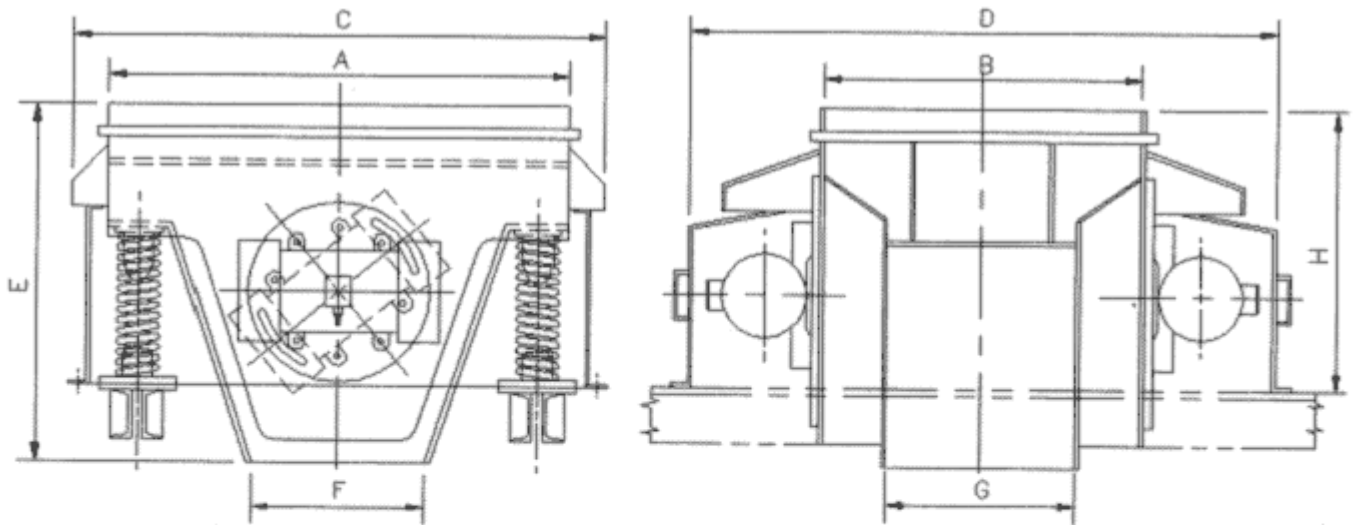
STAR FEATURES

- ▶ Robust construction
- ▶ Suitable for difficult to remove sand
- ▶ Designed for continuous duty
- ▶ Top vibrating frame is stress-relieved for longer life
- ▶ Countrywide after-sales service
- ▶ Wesman quality built into every machine



SHAKEOUT WITH ECCENTRIC SHAFT

| MODEL | CAPACITY | A | B | C | D | E | F | G | H | J | POWER RATING |
|-------|-----------|------|------|------|------|-----|------|------|------|------|--------------|
| WF-2 | 1-2 TONS | 1500 | 1000 | 1740 | 1504 | 720 | 730 | 730 | 1230 | 970 | 5 HP |
| WF-4 | 3-4 TONS | 1800 | 1200 | 2060 | 1540 | 760 | 850 | 850 | 1450 | 1000 | 7.5 HP |
| WF-7 | 5-7 TONS | 2400 | 1800 | 2480 | 1880 | 840 | 1200 | 1000 | 1730 | 1245 | 15 HP |
| WF-10 | 8-10 TONS | 3000 | 2000 | 3080 | 2100 | 865 | 1360 | 1100 | 1730 | 1360 | 20 HP |



SHAKEOUT WITH VIBRO-MOTOR

| MODEL | CAPACITY | A | B | C | D | E | F | G | H | POWER RATING |
|-------|-----------|------|------|------|------|------|------|------|-----|--------------|
| WV-2 | 1-2 TONS | 1500 | 1000 | 1740 | 1900 | 900 | 730 | 730 | 650 | 2 X 2.30 KW |
| WV-4 | 3-4 TONS | 1800 | 1200 | 2060 | 2200 | 975 | 850 | 850 | 690 | 2 X 2.74 KW |
| WV-7 | 5-7 TONS | 2400 | 1800 | 2480 | 2900 | 1050 | 1200 | 1000 | 770 | 2 X 8.56 KW |
| WV-10 | 8-10 TONS | 3000 | 2000 | 3080 | 3200 | 1070 | 1360 | 1100 | 795 | 2 X 8.56 KW |

ALL DIMENSIONS GIVEN ARE APPROXIMATE & NON-BINDING.



**THE WESMAN
ENGINEERING CO PVT LTD**

WESMAN CENTER, 8 MAYFAIR ROAD, KOLKATA 700019, INDIA
 TEL: +91 (33) 22405320, 22816406
 FAX: +91 (33) 22478050, 22816402
 EMAIL: foundry@wesman.com INTERNET: www.wesman.com

KOLKATA ■ NEW DELHI ■ MUMBAI ■ CHENNAI ■ PUNE ■ BANGALORE ■ AHMEDABAD ■ HYDERABAD