

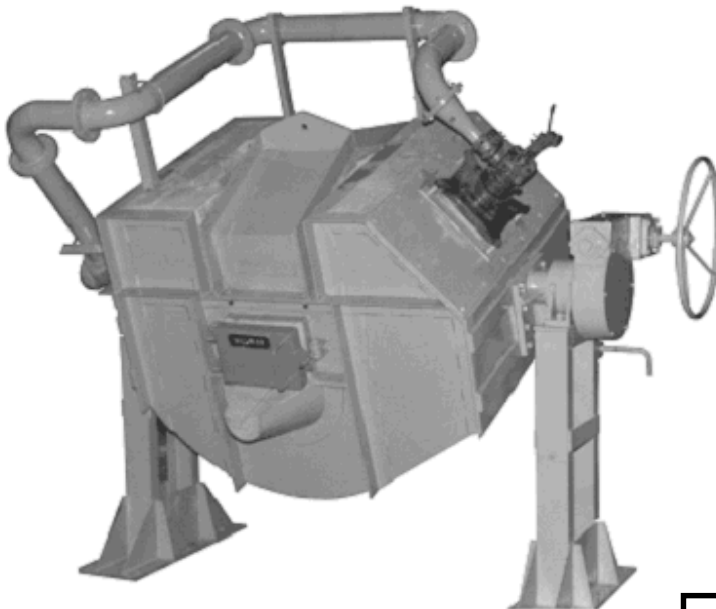
WESMAN

FOUNDRY EQUIPMENT DIVISION

REVERBERATORY FURNACE

FOUNDRY EQUIPMENT

WESMAN REVERBERATORY FURNACES are used primarily for melting copper and its alloys such as bronze and brass, and other metals such as aluminium, lead and zinc. The furnace is supplied with refractory lining (except for model RVA-33), tilting gear arrangement, blower and burner.



The furnace is constructed from reinforced mild steel plates of substantial thickness, and is supported on a heavy fabricated stand through trunnions on anti-friction bearings. The furnace is provided with a tilting gear arrangement on one side shaft extension comprising a worm, worm wheel, bevel gears and large hand wheel for easy manual operation (motorized drive arrangement with inching facility is optionally available).

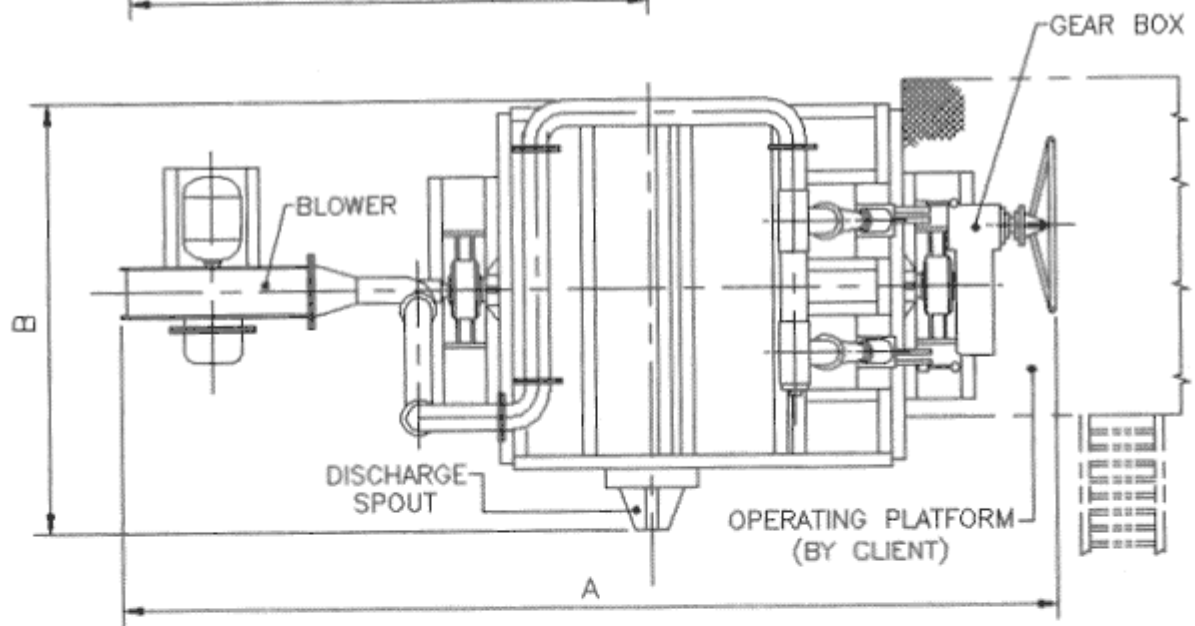
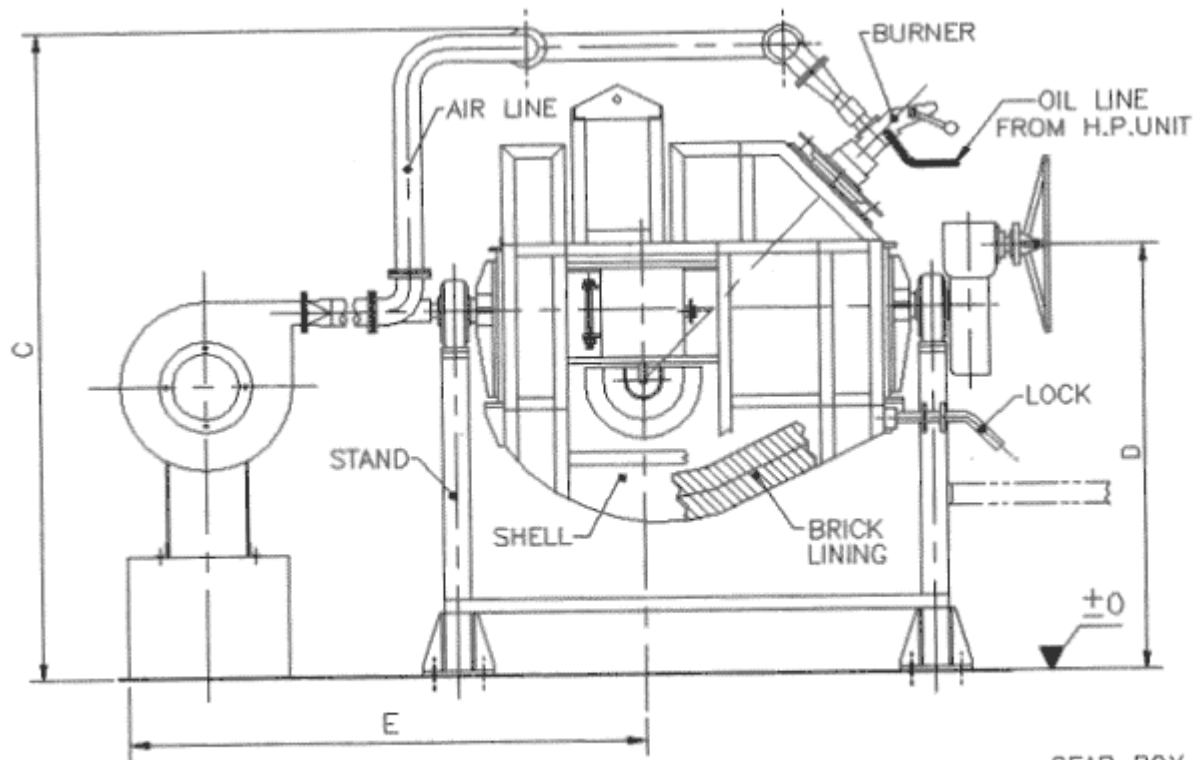
The furnace is fitted with a Wesman Schieldrop self-proportioning oil burner (optional firing of LPG or natural gas is also available). The burner is arranged to fire directly inside the shell lining. Waste gases pass out through a vertical flue passage which also serves as a charging door, enabling the charge to be preheated before melting. Products of combustion may be collected in an optional fume extraction unit for discharge outside the shop.

OPTIONAL ACCESSORIES: ■ OIL SERVICE TANK
■ OUTFLOW HEATER ■ SEMI-ROTARY PUMP
FOR OIL TANK ■ FUME EXTRACTION UNIT

SEE REVERSE FOR INSTALLATION DIMENSIONS

STAR FEATURES

- ▶ Rugged construction
- ▶ Available in a wide range of sizes
- ▶ Easy to operate and maintain
- ▶ Fitted with Wesman's highly acclaimed combustion equipment
- ▶ Excellent fuel economy
- ▶ Countrywide after-sales service
- ▶ Wesman quality built into every machine



FURNACE MODEL	CAPACITY (KG.)		DIMENSIONS (mm)				
	BRASS	ALLUMINIUM	A	B	C	D	E
RV-2	90	30	4200	1450	2000	1300	2800
RV-5	225	75	4500	1550	2200	1400	2950
RV-10	450	150	4800	1625	2500	1550	3050
RV-20	900	300	5000	2125	2650	1730	3200
RVA-33	-	500	5500	2200	2900	1850	3400

ALL DIMENSIONS GIVEN ARE APPROXIMATE & NON-BINDING.



**THE WESMAN
ENGINEERING CO PVT LTD**

WESMAN CENTER, 8 MAYFAIR ROAD, KOLKATA 700019, INDIA
 TEL: +91 (33) 22405320, 22816406
 FAX: +91 (33) 22478050, 22816402
 EMAIL: foundry@wesman.com INTERNET: www.wesman.com

KOLKATA ■ NEW DELHI ■ MUMBAI ■ CHENNAI ■ PUNE ■ BANGALORE ■ AHMEDABAD ■ HYDERABAD