

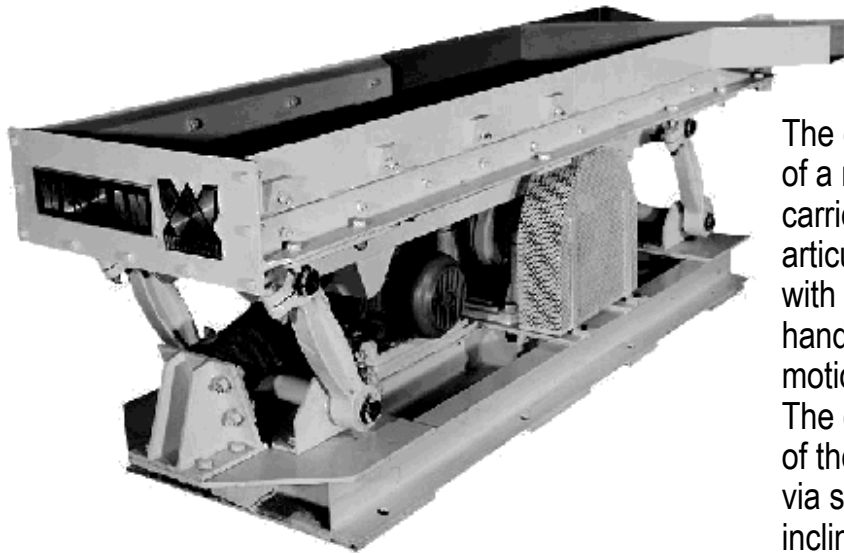
WESMAN

FOUNDRY EQUIPMENT DIVISION

OSCILLATING CONVEYOR

FOUND
RY
EQUIPMENT

WESMAN OSCILLATING CONVEYORS are utilized to convey sand or other granular particles at a desired rate. The conveyor is generally placed under a vibrating shakeout or a grid to eliminate direct handling of hot sand by the belt conveyor. In the process of reciprocation, the oscillating conveyor cools the hot sand to some extent which increases the life of the return sand conveyor belt.



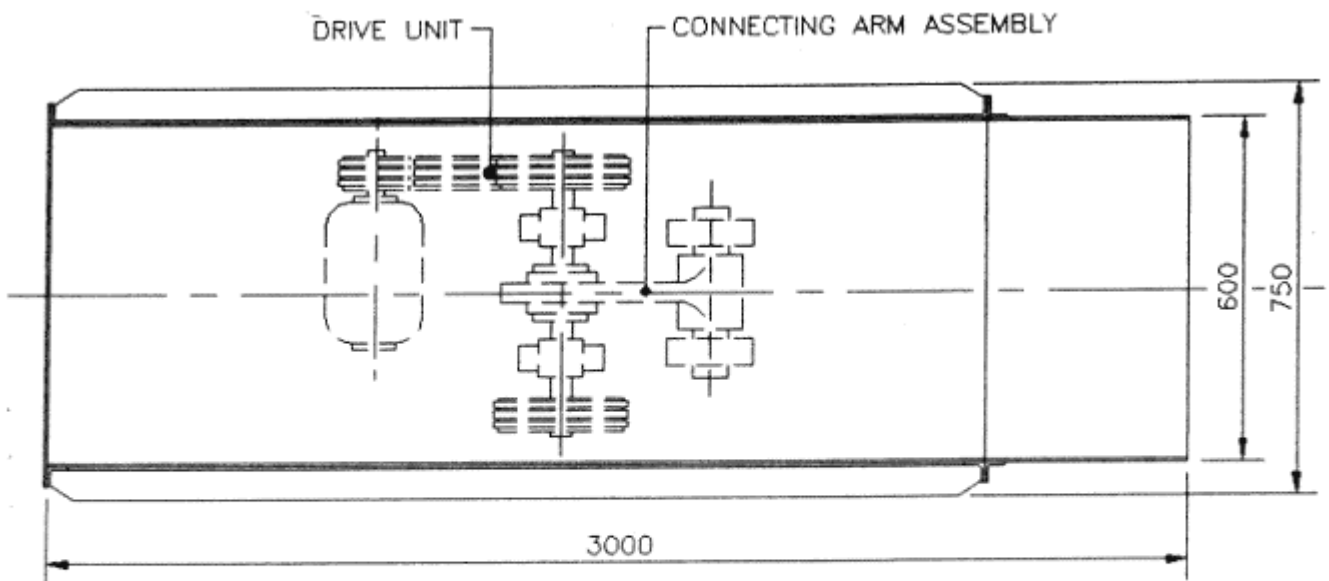
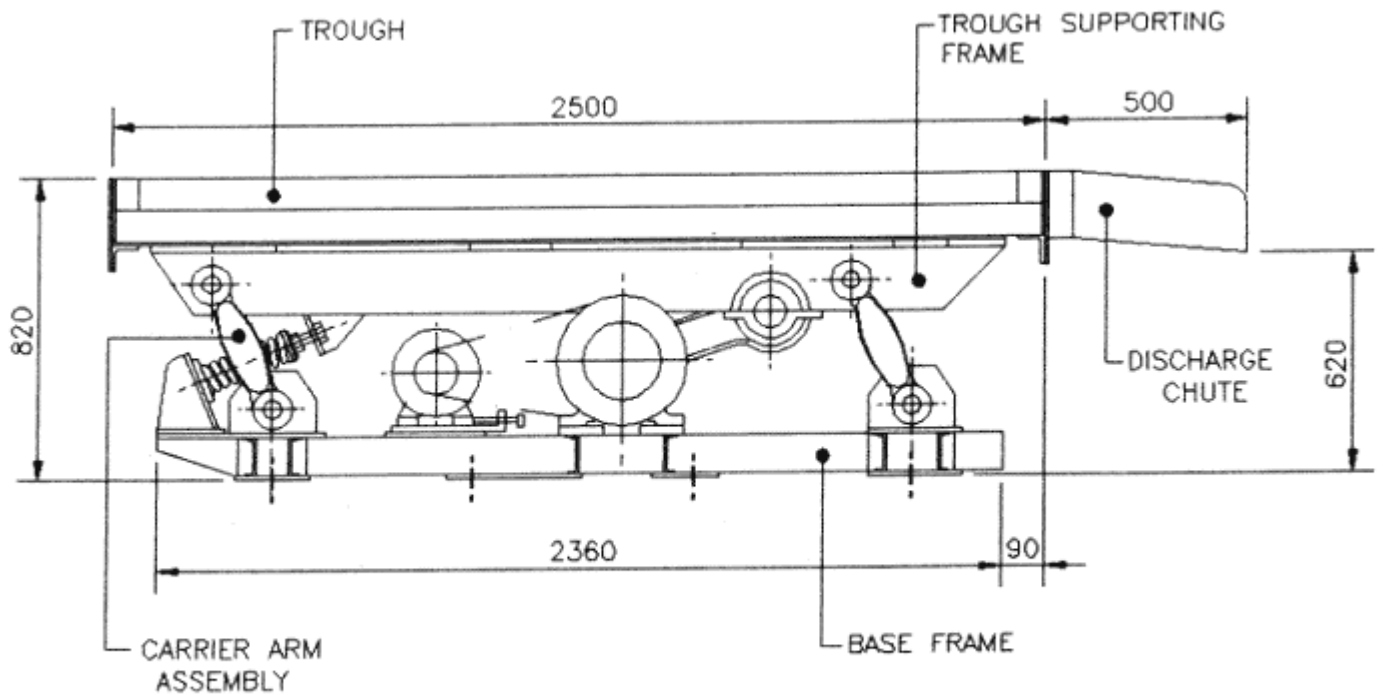
The eccentric shaft is mounted on anti-friction bearings and has V-pulleys at both ends with weights on them to counteract the unbalancing force. The rotation of the eccentric shaft provides a forward and backward motion to a connecting arm attached to the trough through a rubberized pin. The trough motion is predominantly horizontal with some vertical component, which causes it to oscillate with a pattern conducive to conveying material. A retaining spring assembly at the back of the trough absorbs shock load. All components including drive motor are mounted on a rigidly constructed base frame.

SEE REVERSE FOR INSTALLATION DIMENSIONS

The equipment consists of a metallic trough carried on inclined articulating arms fitted with rubber bushes to handle the reciprocating motion of the trough. The oscillating motion of the trough is achieved via specially designed inclined arms and an eccentric shaft driven by a motor through V-belts.

STAR FEATURES

- ▶ **Special oscillating pattern for efficient conveying**
- ▶ **Low wear rate of trough**
- ▶ **Continuous-duty design**
- ▶ **Suitable for sand plants**
- ▶ **Countrywide after-sales service**
- ▶ **Wesman quality built into every machine**



DRAWING SHOWS STANDARD DRIVE SECTION OF OSCILLATING CONVEYOR. LENGTH MAY BE INCREASED TO SUIT CLIENT'S REQUIREMENTS BY ADDING NON-DRIVE SECTIONS.



**THE WESMAN
ENGINEERING CO PVT LTD**

WESMAN CENTER, 8 MAYFAIR ROAD, KOLKATA 700019, INDIA
 TEL: +91 (33) 22405320, 22816406
 FAX: +91 (33) 22478050, 22816402
 EMAIL: foundry@wesman.com INTERNET: www.wesman.com

KOLKATA ■ NEW DELHI ■ MUMBAI ■ CHENNAI ■ PUNE ■ BANGALORE ■ AHMEDABAD ■ HYDERABAD