

Wesman Oil Pumping and Heating Units are designed to supply fuel oil at predetermined constant pressure and temperature to ensure efficient combustion. These compact units prevent undesirable variations in temperature caused by heat loss and varying rates of oil flow in long oil lines from heaters located far away.

■■ SIMPLEX MODEL SPH

One motorized rotary gear oil pump, one preheater and two simplex filters (one fitted in line, the other supplied loose to be fitted in outgoing line).

■■ DUPLEX MODEL DPH

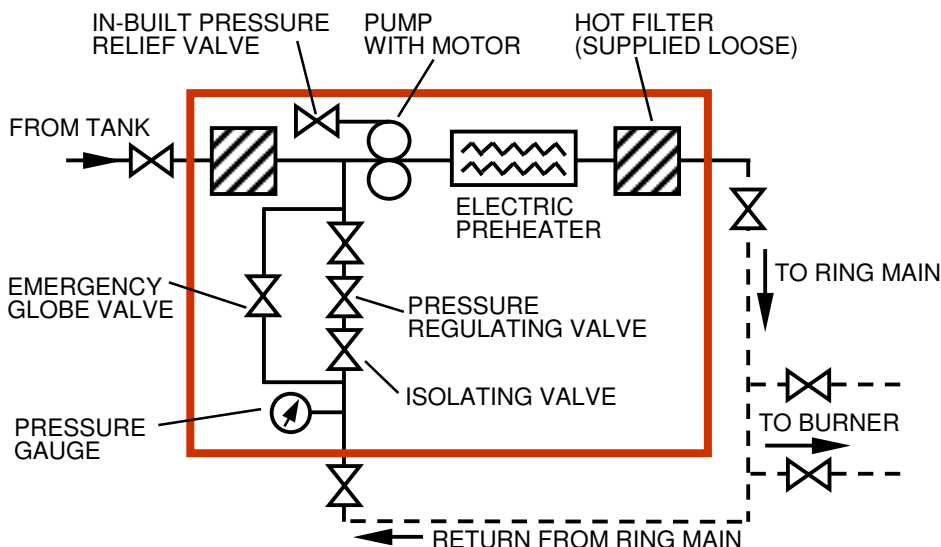
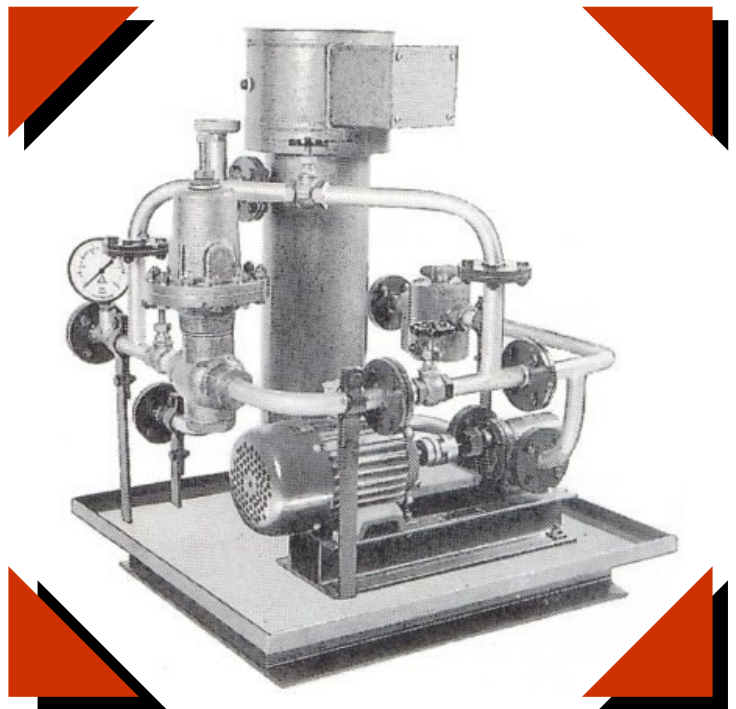
Two motorized rotary gear oil pumps (one working and one standby), one preheater and two simplex filters (one fitted in line, the other supplied loose to be fitted in outgoing line).

■■ DUPLEX MODEL DPDH

Two motorized rotary gear oil pumps and two preheaters (while one set of pumps and preheaters is operating, the other set acts as a standby) with in-built three-way duplex filters.

NOTE: Models SPH and DPH can optionally be ordered with duplex filter at additional cost.

PUMPING AND HEATING UNIT



◀ SCHEMATIC OF SIMPLEX MODEL SPH

Wesman Pumping and Heating units are generally manufactured as per the schematic shown on the left. The components are mounted on an MS tray and the units are supplied complete with necessary interconnecting pipe work.

Standard units are available in sizes from 1 kW to 90 kW. Non-standard units can be designed on request.



WESMAN THERMAL ENGINEERING PROCESSES PVT LTD
WESMAN CENTER, 8 MAYFAIR ROAD KOLKATA 700019 ■ TEL: (33) 22816406, 22405320 ■ FAX: (33) 22816402, 22478050 ■ EMAIL: combustion@wesman.com ■ INTERNET: www.wesman.com ■ REGIONAL OFFICES: MUMBAI (22) 28509521 ■ NEW DELHI (11) 26431723 ■ CHENNAI (44) 28263581 ■ BANGALORE (80) 22225760 ■ PUNE (20) 27657276 ■ AHMEDABAD (79) 26449391 ■ HYDERABAD (40) 55275779