

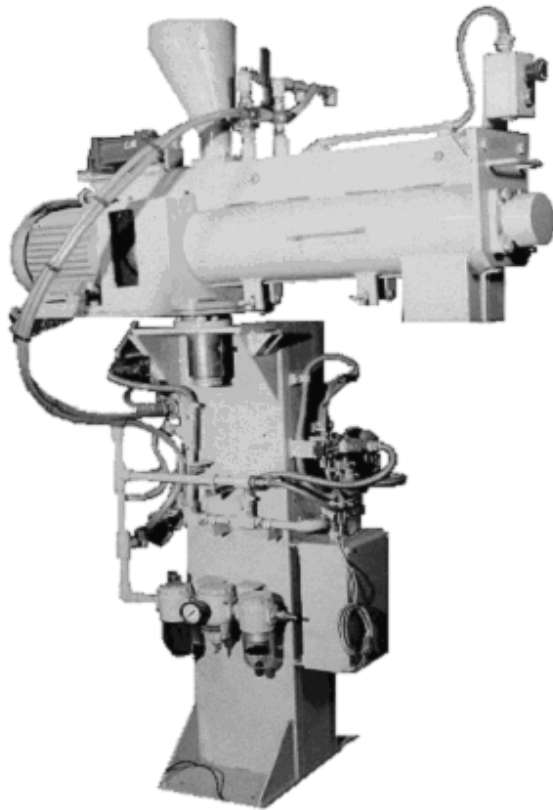
WESMAN

FOUNDRY EQUIPMENT DIVISION

CONTINUOUS MIXER

FOUNDRY EQUIPMENT

WESMAN'S WM SERIES SINGLE SCREW CONTINUOUS MIXER is designed for thorough blending and mixing of sand with sodium silicate. This is an ideal machine for applications requiring small, medium or large moulds or cores, and is offered in four sizes with capacities ranging from 1.5 to 12 tonnes per hour.



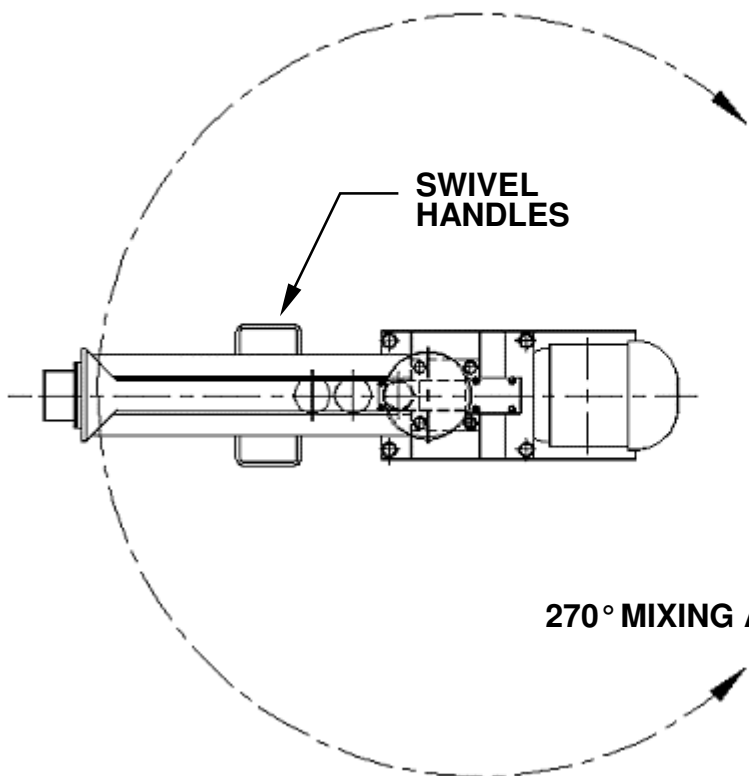
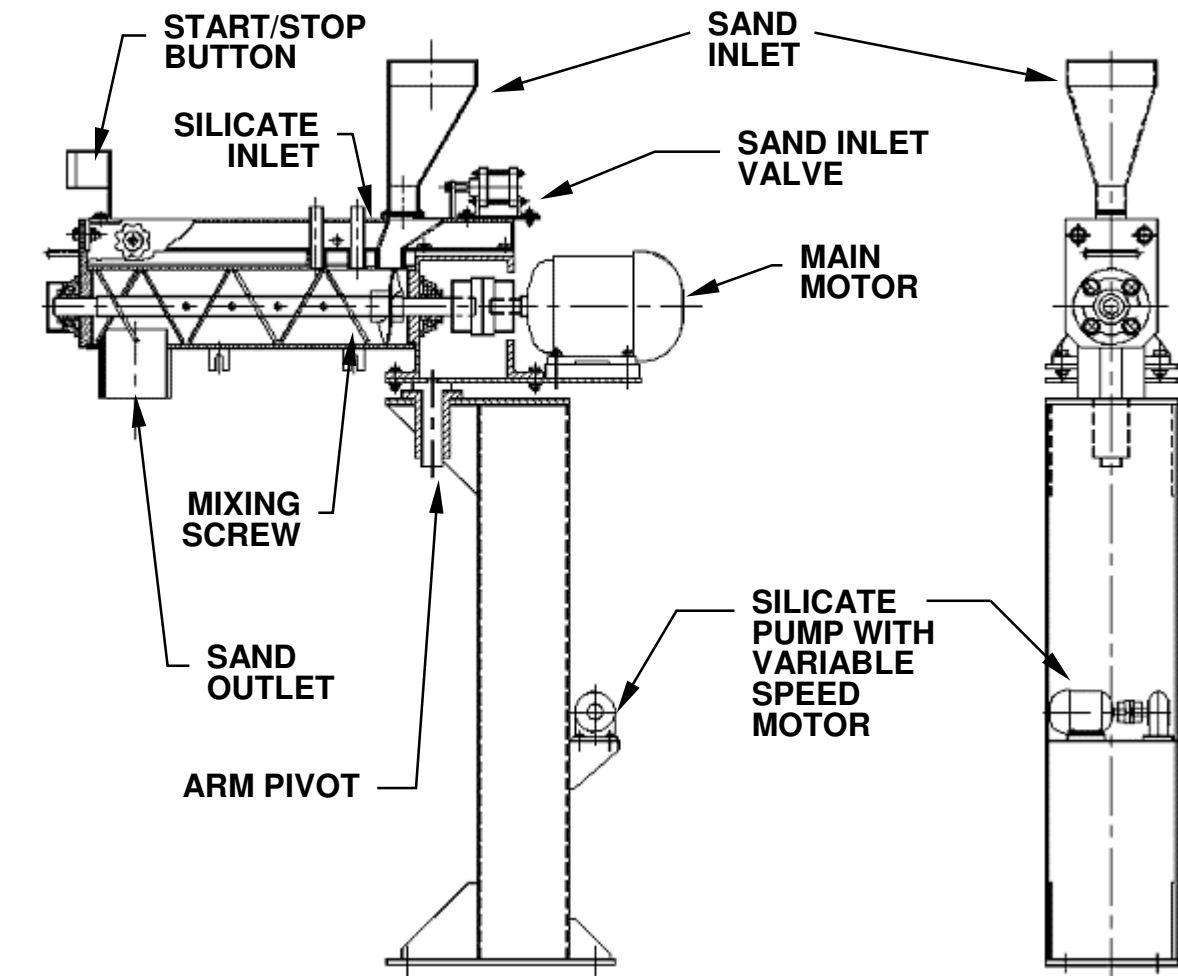
The flow of sodium silicate and sand is controlled by a PLC with preset timers to make setup for different mixtures fast and easy. A semi-automatic calibration feature lets the operator select and accurately measure sand or binder flow for a predetermined time period, eliminating calibration inaccuracies. For less critical applications, a lower priced model is also offered without PLC and variable frequency speed control drive.

SEE REVERSE FOR INSTALLATION DIMENSIONS

The mixing blades are hard faced with tungsten carbide bits. Sand entering the mixing tube is metered by an easily adjustable pneumatically operated butterfly valve. The mixing tube opens into two halves for full access to mixing blades for cleaning. The shaft and tube assemblies can also be easily removed for cleaning and maintenance. The pumping system contains a positive displacement gear pump located in the base of the machine, with re-circulation via pneumatically operated diverter valves. The pump has a variable frequency speed control drive for accurate metering of the binder to obtain best results.

STAR FEATURES

- ▶ **Designed for continuous heavy-duty operation**
- ▶ **Simple to operate and easy to maintain**
- ▶ **Rugged construction**
- ▶ **Countrywide after-sales service**
- ▶ **Wesman quality built into every machine**



WESMAN WM SERIES SINGLE SCREW CONTINUOUS MIXER



**THE WESMAN
ENGINEERING CO PVT LTD**

WESMAN CENTER, 8 MAYFAIR ROAD, KOLKATA 700019, INDIA
 TEL: +91 (33) 22405320, 22816406
 FAX: +91 (33) 22478050, 22816402
 EMAIL: foundry@wesman.com INTERNET: www.wesman.com

KOLKATA ■ NEW DELHI ■ MUMBAI ■ CHENNAI ■ PUNE ■ BANGALORE ■ AHMEDABAD ■ HYDERABAD