

# WESMAN

## FOUNDRY EQUIPMENT DIVISION

### P-SERIES INTENSIVE MIXER

■ INNOVATIVE ■ EFFICIENT ■ ECONOMICAL

#### FLUID COUPLING

Located between motor and gearbox to protect motor from burnout due to shock load.

#### INTEGRAL HOPPER

Built into mixer cover for easy and convenient feed of used sand into mixer.

#### CENTRAL SPRAYER

Water enters mixer through central axis and is added to sand through spray heads mounted on rotor arms.

#### DRIVE UNIT

Sensibly mounted on top for easy maintenance access, resulting in reduced down time.

#### PLANETARY GEARBOX

Planetary gearbox rotates mixing blades at high speed on their own axes as well as around circumference of pan for thorough mix.

#### SIDE WALL SCRAPERS

Tungsten carbide scrapers reaching to full height of mixer pan continuously clean side walls and push sand towards mixing rotors.

#### TRIPLE ACTION ROTORS

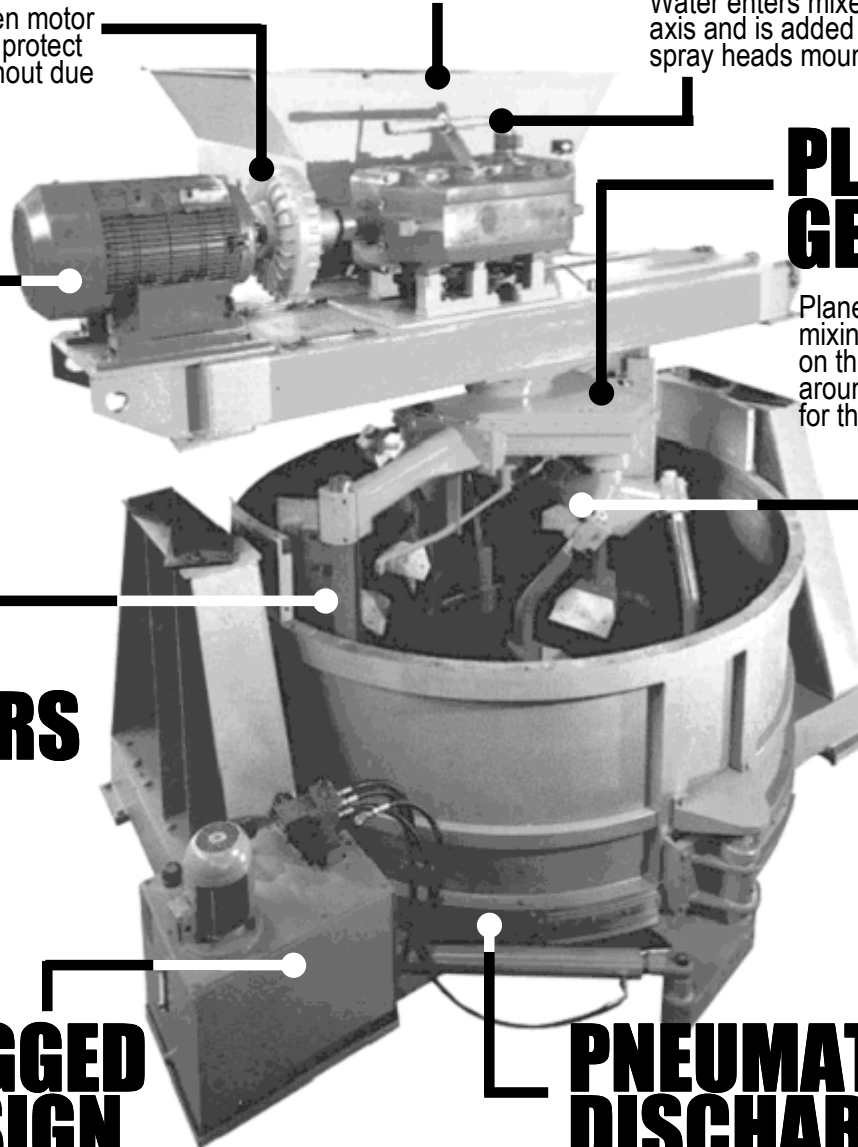
Each mixing rotor has three mixing arms fitted with replaceable wear blades, ensuring homogenous output of soft velvety sand.

#### RUGGED DESIGN

Heavy steel sections, mounted on wear-resistant base plate for long life.

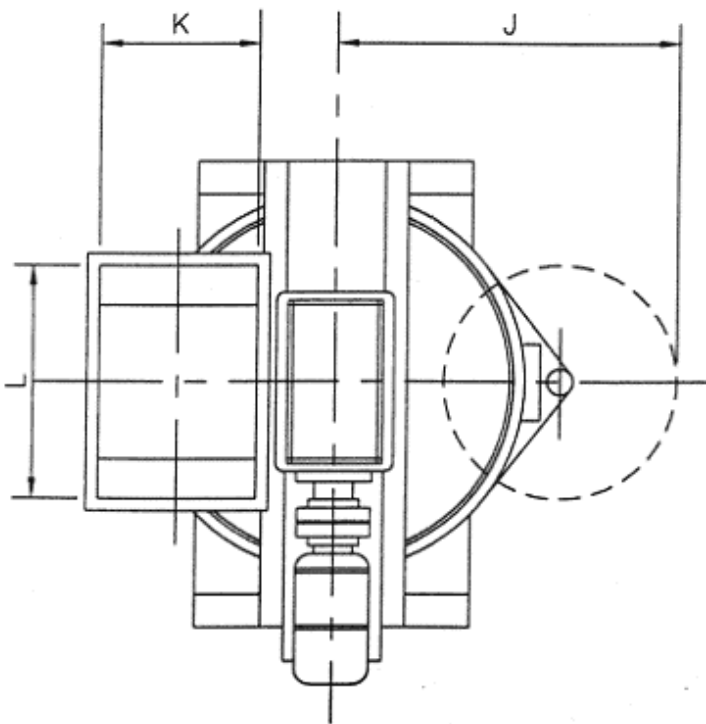
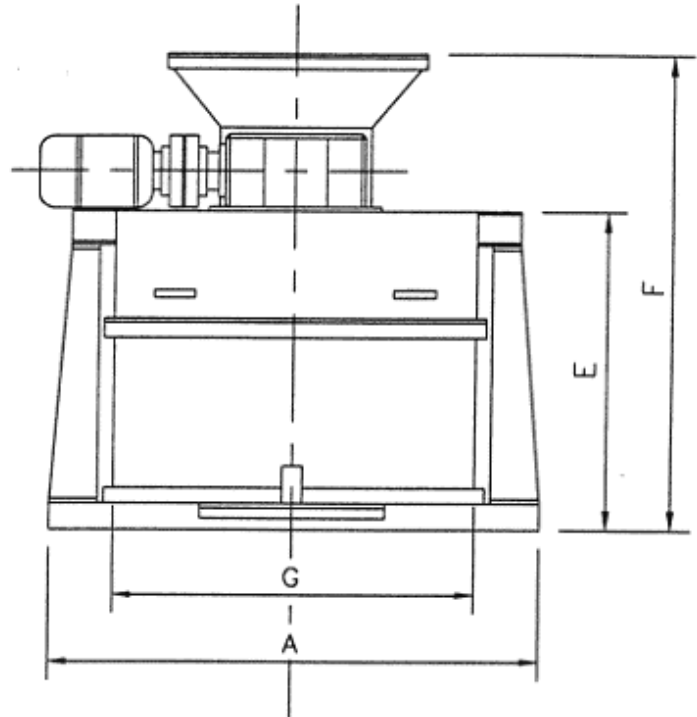
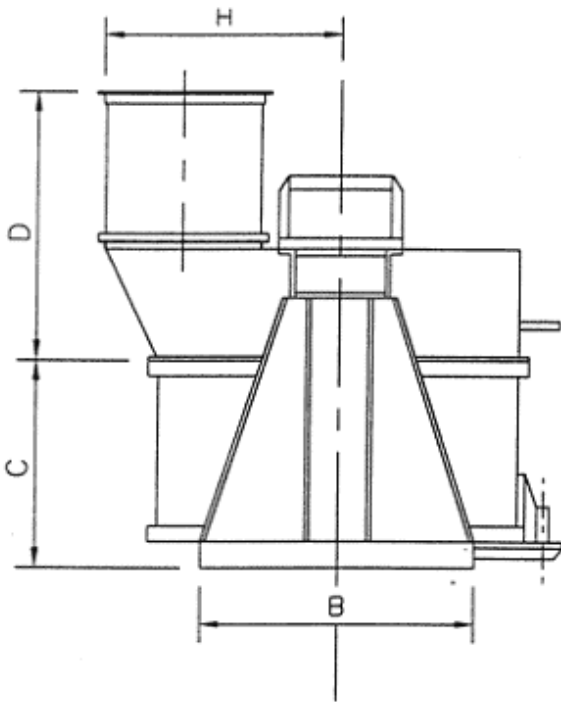
#### PNEUMATIC DISCHARGE

Heavy-duty cylinder for rapid discharge of sand in 10 to 12 seconds from bottom door.



# WESMAN

## P-SERIES GREEN SAND INTENSIVE MIXER



MODEL	P-250	P-500	P-1000
A	1720	2400	2950
B	1000	1350	1700
C	780	1000	1240
D	1100	1400	1750
E	1105	1460	1790
F	1730	2250	2840
G	1250	1800	2200
H	820	1230	1450
J	1360	1620	2050
K	650	900	1050
L	1000	1420	1800



**THE WESMAN  
ENGINEERING CO PVT LTD**

WESMAN CENTER, 8 MAYFAIR ROAD, KOLKATA 700019, INDIA  
 TEL: +91 (33) 22405320, 22816406  
 FAX: +91 (33) 22478050, 22816402  
 EMAIL: foundry@wesman.com INTERNET: www.wesman.com

KOLKATA ■ NEW DELHI ■ MUMBAI ■ CHENNAI ■ PUNE ■ BANGALORE ■ AHMEDABAD ■ HYDERABAD