

WESMAN

FOUNDRY EQUIPMENT DIVISION

EJX MINI SAND PLANT

FOUNDRY EQUIPMENT

WESMAN SAND PREPARATION PLANTS MODEL EJX is designed to cater to small and medium foundries, and consists of a package of screening, charging, mixing and aerating systems for foundry used sand. The plant consists of a vibrating screen with magnetic drum, skip hoist, dust hood, muller and aerator fixed to the muller outlet.

Knocked out return sand can either be shoveled manually on to the vibrating screen or placed by any other convenient means. Screened sand flows through the vibrating pan to the bucket of the skip hoist via a magnetic drum, which separates out iron particles and collects them in a container in the pit. Lumps are discharged at the side of the screen by a deflector plate fixed on top of the screen near discharge end.

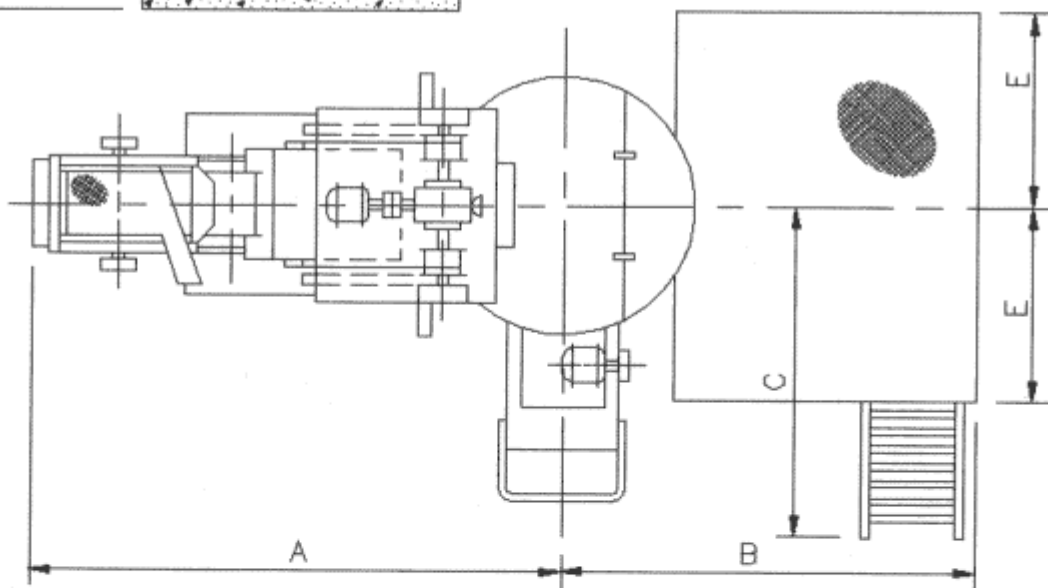
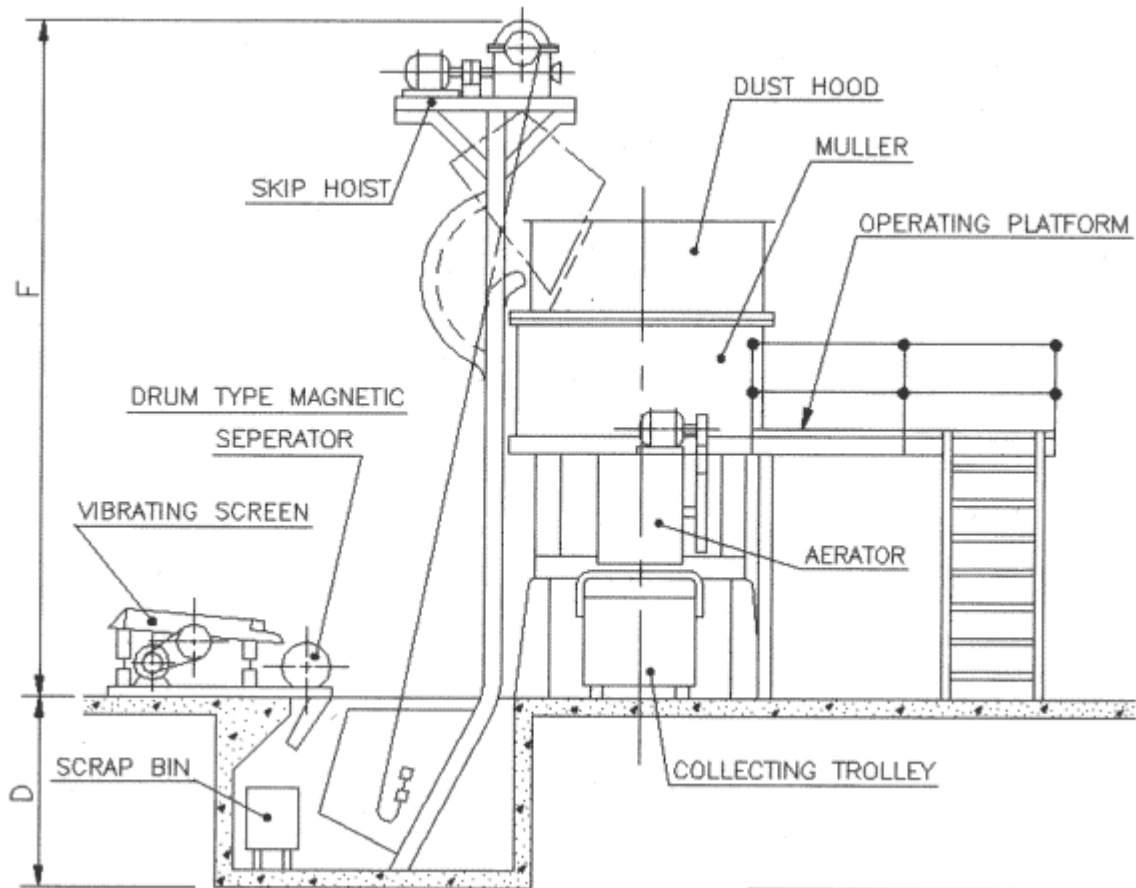
A skip hoist bucket collects one batch of sand and discharges it to the muller. Two limit switches control the travel of the bucket at the top and bottom positions. A dust hood with a hinged flap door is provided on top of the muller. This flap door opens out when sand is discharged from the bucket and automatically closes due to a counterweight when the bucket empties out, thus maintaining a dust-tight atmosphere. The muller prepares the moulding sand and discharges it through the aerator, which is collected in a wheel barrow or by other means. Additives and new sand are added manually to the muller. An operating platform at the muller level can be optionally supplied.

Further mechanization of return sand from shakeout to vibrating screen and distribution of moulding sand from muller discharge point to the overhead hoppers of the moulding machines can also be supplied by Wesman based on the customer's need. Many small and medium foundries use Wesman's EJX sand plant, which is an economical way to introduce modernization and mechanization in foundries presently using manual operations.

SEE REVERSE FOR INSTALLATION DIMENSIONS

STAR FEATURES

- ▶ Rugged construction
- ▶ Available in a wide range of capacities
- ▶ Designed for small to medium foundries
- ▶ Space-saving compact design
- ▶ Countrywide after-sales service
- ▶ Wesman quality built into every machine



MODEL	MULLER BATCH CAPACITY	DIMENSIONS (mm)					
		A	B	C	D	E	F
EJX- 500	225 Kg	3050	2400	2350	1220	1200	3460
EJX- 750	340 Kg	3500	2800	2500	1220	1400	4600
EJX-1000	450 Kg	3500	2950	2500	1220	1400	4600
EJX-1500	680 Kg	4000	3000	2500	1220	1400	5100
EJX-2000	900 Kg	4300	3200	2700	1450	1500	5540

ALL DIMENSIONS GIVEN ARE APPROXIMATE & NON-BINDING



**THE WESMAN
ENGINEERING CO PVT LTD**

WESMAN CENTER, 8 MAYFAIR ROAD, KOLKATA 700019, INDIA
 TEL: +91 (33) 22405320, 22816406
 FAX: +91 (33) 22478050, 22816402
 EMAIL: foundry@wesman.com INTERNET: www.wesman.com

KOLKATA ■ NEW DELHI ■ MUMBAI ■ CHENNAI ■ PUNE ■ BANGALORE ■ AHMEDABAD ■ HYDERABAD